

480V.  
60 HZ.  
LINE

FUSED DISCONNECT  
OR CIRCUIT BREAKER  
(CUSTOMER SUPPLIED)

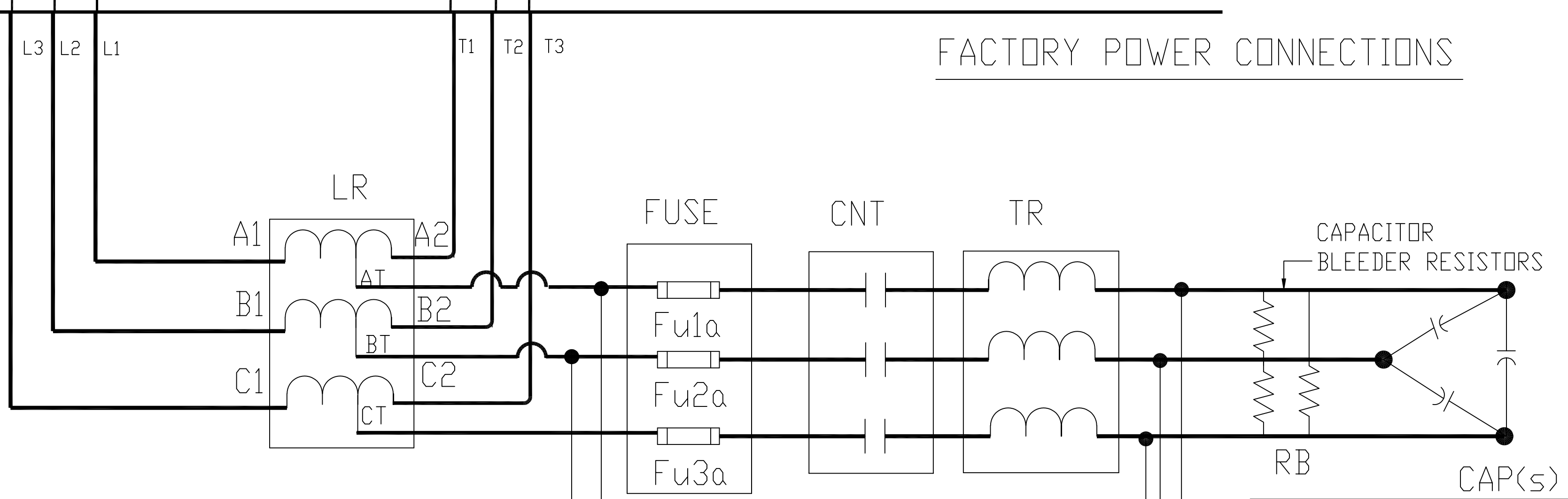
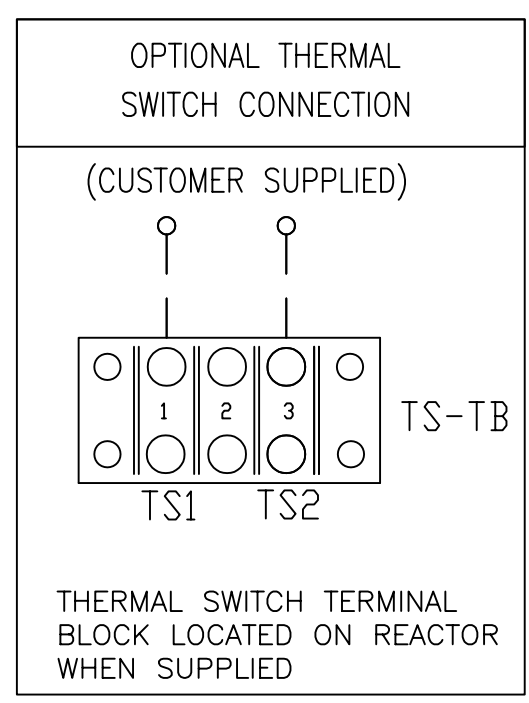
CUSTOMER CONNECTIONS

T1  
T2 LOAD  
T3

CUSTOMER CONNECTIONS

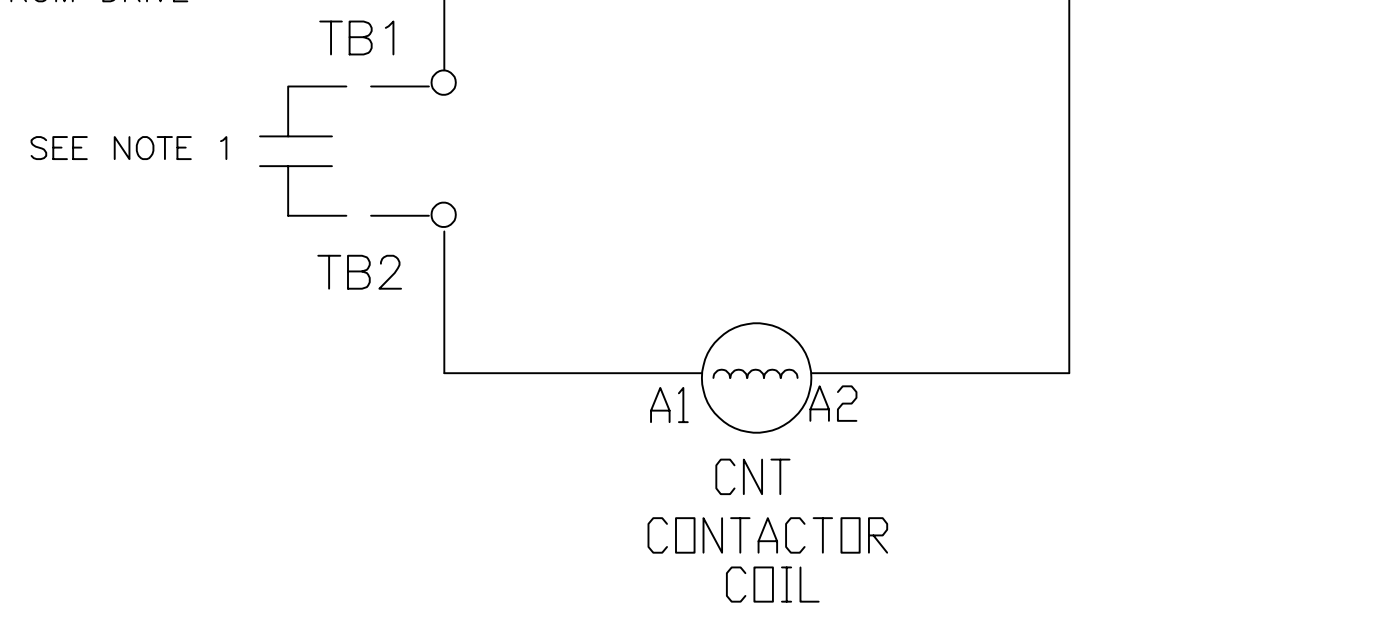
75 HP AND BELOW : USE MINIMUM 60°C COPPER WIRE  
ABOVE 75 HP : USE MINIMUM 75°C COPPER WIRE

FACTORY POWER CONNECTIONS



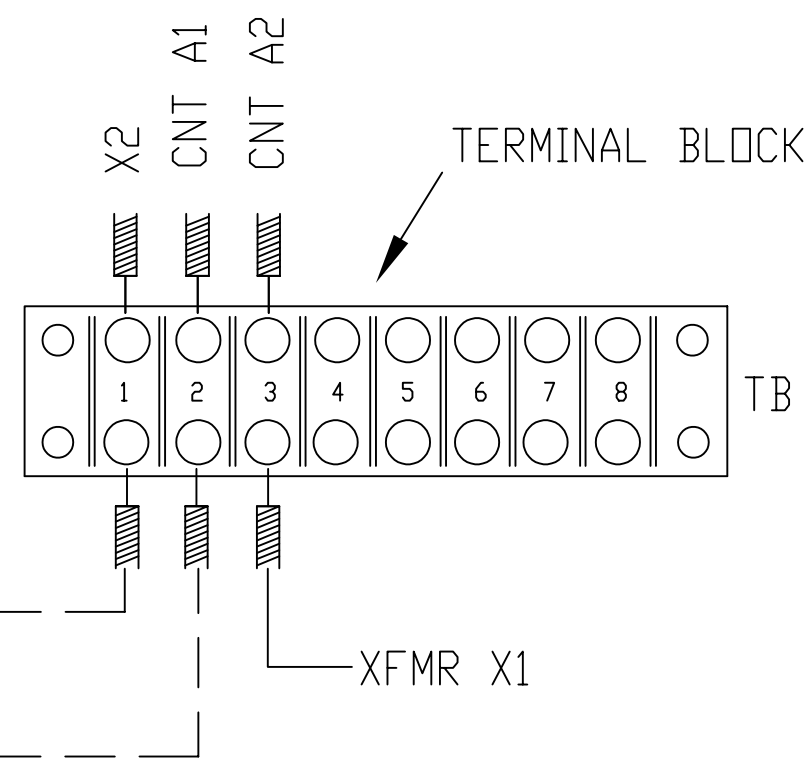
CONTROL CONNECTIONS

NOTE 1:  
FOR PROPER OPERATION  
CONNECT AUXILIARY N.O.  
RUN RELAY CONTACT  
FROM DRIVE

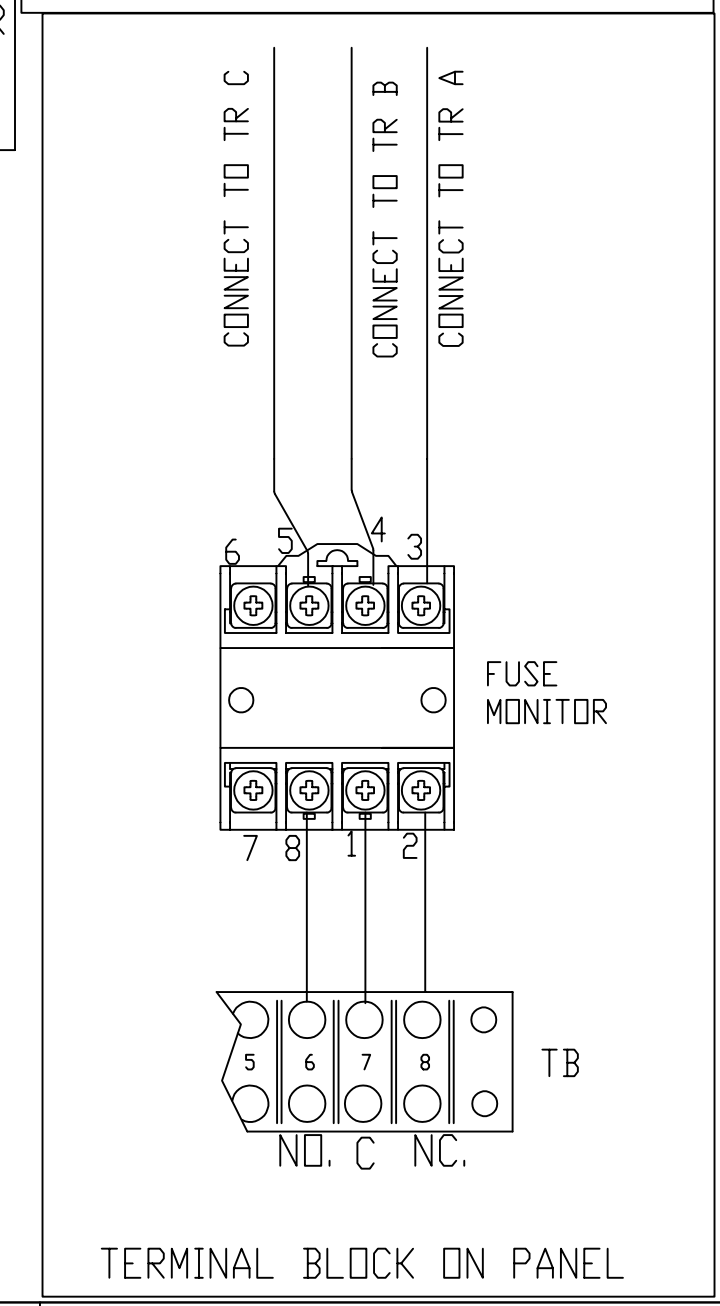


XFMR LEADS GO TO  
TAP ON LINE REACTOR  
(AT)&(BT)

CONNECTIONS FOR  
FUSE MONITOR  
OPTION



SCHEMATIC FOR FUSE MONITOR, OPTION



TCI, LLC CLAIMS PROPRIETARY RIGHTS IN THE MATERIAL HEREIN DISCLOSED. IT IS SUPPLIED WITHOUT PREJUDICE TO ANY PATENT RIGHTS OF TCI AND MAY NOT BE REPRODUCED OR USED TO MANUFACTURE ANYTHING SHOWN THEREIN WITHOUT WRITTEN PERMISSION FROM TCI.				TOLERANCES (EXCEPT AS NOTED)			
						DECIMAL	
						.XX ± NA	
						.XXX ± NA	
						FRACTIONAL	
						± NA	
						ANGULAR	
						± NA	
NO	REVISION	DATE	BY				

**TCI** W132 N10611 GRANT DRIVE  
GERMANTOWN, WI 53022

HARMONICGUARD PASSIVE  
480V SCHEMATIC  
CONTACTOR VERSION

DRN. BY BWM DATE 6/18/15 DVG. NO. 29597

SCALE NONE SIZE C

SHT. 1 of 1